

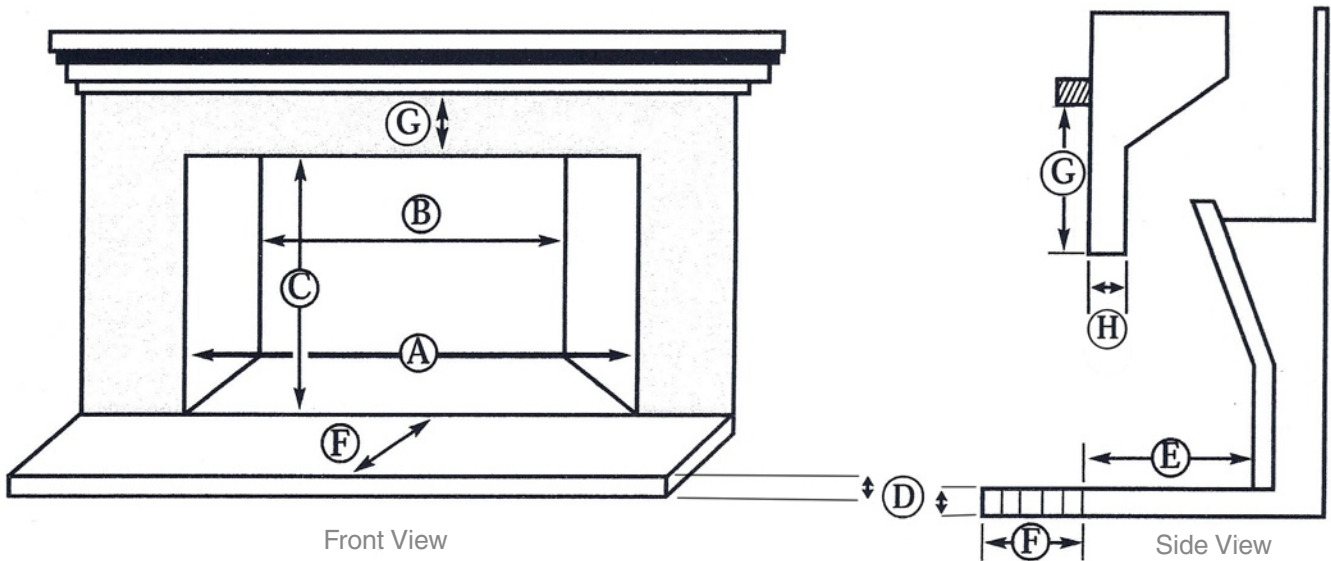
FIREPLACE MEASUREMENT FORM

Customer Name _____ Sales Person _____

Address & City _____

Phone _____ Cell Phone _____

Email Address _____ Date _____



- (A) Width - Front: _____
- (B) Width - Rear: _____
- (C) Height - Center: _____
- (D) Height of Hearth: _____
- (E) Depth of Firebox: _____
- (F) Depth of Hearth: _____
- (G) Height to Mantel: _____
- (H) Depth of Lintel: _____

Is this an arched fireplace? Yes No

Is this a prefabricated metal fireplace? Yes No

Is this a masonry fireplace? Yes No

Is the chimney lined? Yes No

Type of Facing: Brick Stone

Is there anything unusual about the fireplace?
 Yes No

Square footage of room: _____

Comments: _____